

Terysafe

Model:SS-S150

Safety Shower & Eye Washer

Application: Combination eye wash and safety shower. Shower is activated by pull rod and eye wash is activated by flag handle or foot treadle. Two spray type outlet heads deliver a flood of water for rinsing eyes.

Shower Head:10" diameter head provide water flow.

Shower Valve:1" IPS stainless steel valve. Valve is activated by pull rod.

Spray Head Assembly: Two spray heads. Each head has a dust cover, Internal flow control and filter to remove impurities from the water flow.

Eye Wash Bowl:11-1/2" diameter. Bowl is stainless steel.

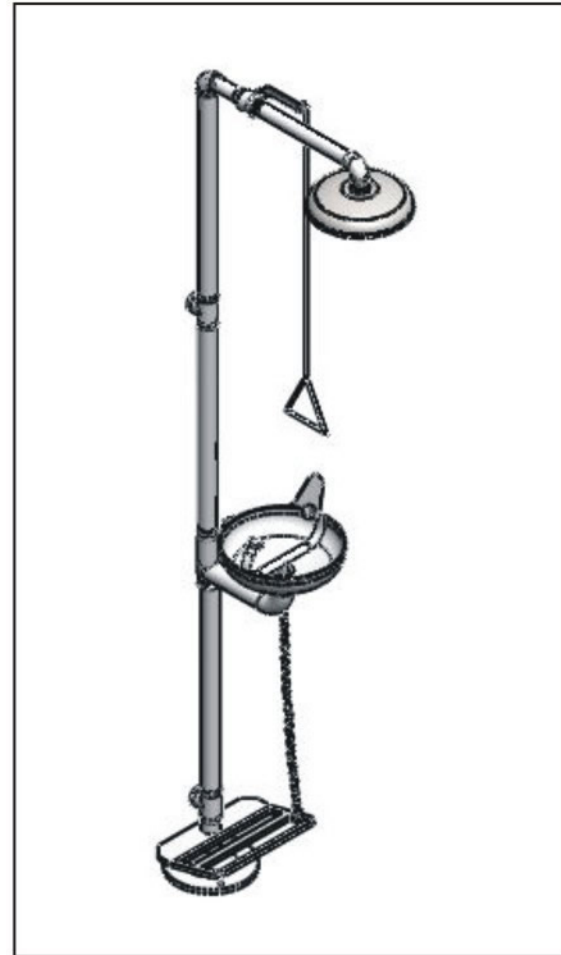
Eye Wash Valve:3/8"IPS stainless steel stay-open ball valve. Valve is activated by flag handle or foot treadle. Unit remains in operation until handle is returned to closed position.

Pipe and Fittings: Schedule 1" and 1/4" stainless steel.

Supply:1-1/4" NPT female inlet.

Waste:1-1/4"NPT female outlet.

Quality Assurance:Valve,bowl and spray head assembly is factory assembled.

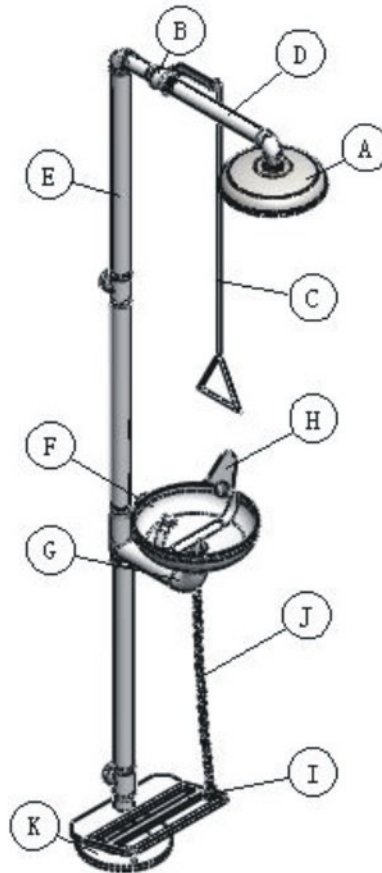


Product feature

- Connect unit to uninterrupted water supply capable of delivering required flow when all components are operated simultaneously.
- Shower can provide 76 liters of water per minute.
- Center of the water pattern 16" from any obstructions.
- Large area cover of water flow, at 60", the water pattern cover 20" in diameter.
- Ball valve activates within one second.
- Easily located, accessible actuator no higher than 69".
- Controlled, low velocity flow completely rinses eyes and face is not injurious to user.
- Eye washer unit deliver 11.5 liters of water per minute.
- Outlet heads position meets 89/686/EEC and ANSI Z358.1-2009, DIN 12899 EN15154 standard.
- Protect spray heads from airborne contaminants.
- Valve actuator are easy to locate and readily accessible to user.
- Hands-free stay open valve activate within one second.
- Connect unit to uninterrupted water supply delivering at 3 GPM.

Safety Shower Details Parts Listing

	Part Name	Description	Pieces
A	Shower Head	Stainless steel	1 piece
B	Shower Valve	Stainless steel	1 piece
C	Pull Rod	Stainless Steel	1 piece
D	Shower Connection Pipe	1" stainless steel	1 piece
E	Pipe Pack	1-1/4" stainless steel	3 pieces
F	Eye Washer Set	See Page 3 for Details	1 set
G	Basin Connection Pipe Set	Stainless steel	1 set
H	Hand Control Panel	Stainless steel	1 piece
I	Foot Control Panel	Stainless Steel	1 piece
J	Connection Chain	Stainless Steel	1 piece
K	Floor Flange	Stainless Steel	1 piece

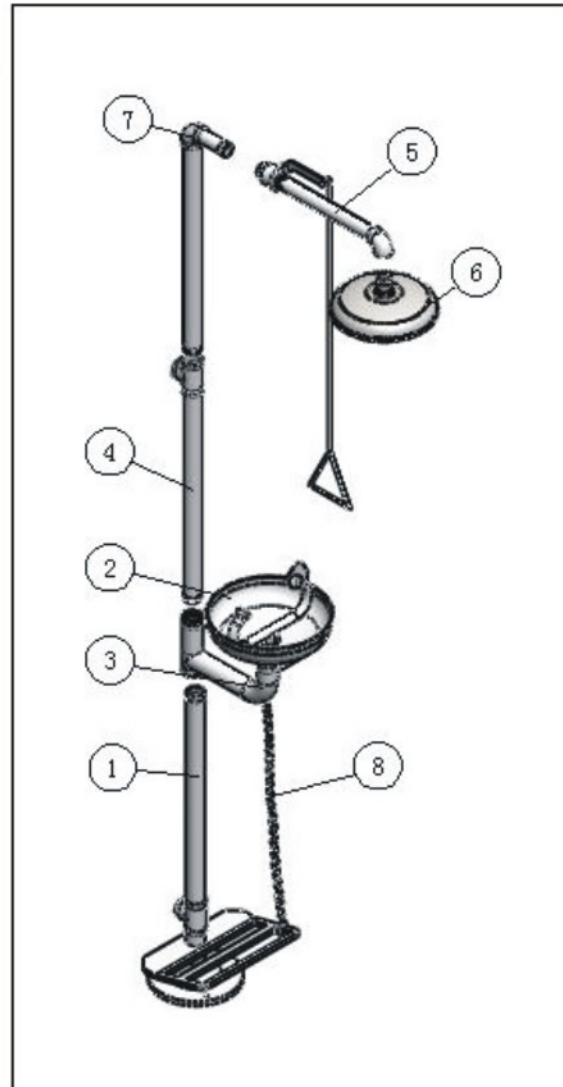


Safety Shower parts details

Safety Shower Assembly Instruction

Terysafe Safety Shower is designed for easy assembly in the field. Essentially, these units are assembled from the "bottom up", as described below :

1. Assemble PART 1 (BASE UNIT) to PART 2 (BASIN UNIT).
2. Assemble PART 3 (HOSE) to ball valve under the Hand control panel.
3. Assemble PART 4 (PIPE TUBE) to PART 1 (BASE UNIT).
4. Joint PART 7 (PIPE TUBE) to PART 5 (SHOWER VALVE UNIT).
5. Assemble PART 5 (SHOWER VALVE UNIT) to PART 6 (SHOWER HEAD).
6. Connect PART 7 (PIPE TUBE) to PART 4 (PIPE TUBE).
7. Connect the PART 1 (BASE UNIT) Waste Receptor to waster water outlet.
8. Secure entire unit to floor for stability.
9. Connect Foot Panel chain to Hand Panel small hole.



NOTES:

- All threads are tapered pipe and require pipe joint compound or Teflon tape to assure watertight connection.
- If unit is furnished with corrosion resistant epoxy coating, care must be taken to avoid damaging finish during assembly.
For best result, a strap wrench should be used.
- Test the entire unit for proper operation.